



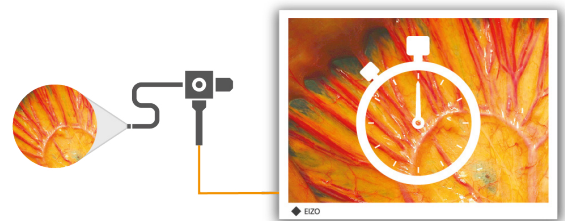
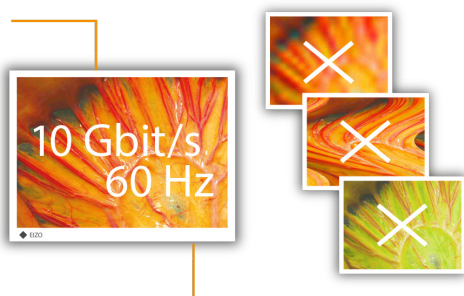
The IP Transceiver transmits Video, Audio and Control Data within a Network-based OR Infrastructure

Lossless Transmission

TIP0210-DVI transmits data in full HD resolution at a frame rate of 60 Hz with speeds as high as 10 Gbps. The device achieves this without compression and fully retains the color space, ensuring optimum image quality.

Instantaneous Image Viewing

Images are transmitted without any visual delay, offering a seamless hand-eye coordination experience for the attending physician. He/she receives direct visual response to his/her actions, for example during endoscopic interventions.



TIP0210-DVI

Extensive Transmission Distance

Data is transmitted via fiber-optic cable, enabling transmission distances of up to 10 kilometers. As a result, not only separate rooms, but entire buildings can be linked to one another, with image data and audio seamlessly transmitted between them. This is useful for transmitting data within and outside of the OR, as well as to conference rooms, lecture halls, and other locations.

Universal Application

The TIP0210-DVI can be used simultaneously as an encoder and decoder. This simplifies installation and saves on time and labor costs associated with storage and maintenance of the entire system.

Two Signals Simultaneously

Up to two video links can be processed concurrently with one TIP0210-DVI. This means that one of the DVI video interfaces can be used as the input, and the other DVI interface as the output, at the same time. The connected video signal can also be looped back through the second DVI interface.

Remote Operation Possible

IP-based data transmission enables the use of the same network cables for the transmission of all information, whether image, audio, video, or control of a keyboard and mouse. For example, a computer in a remote computing center can be operating via the EIZO system directly from OR.

Integrated Video Management

Various video sources can be displayed simultaneously on a screen using a single cable. This enables various multiple views.

Passive Cooling

TIP0210-DVI implements passive cooling for noiseless operation and minimal mechanical wear. This also eliminates any interference with the laminar flow in the OR to prevent unwanted movement of dust particles and bacteria.

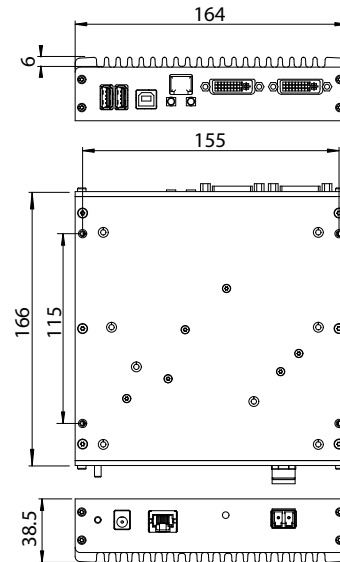
Integration into Existing Systems

TIP0210-DVI is compatible with a wide assortment of commercially-available network components and can be integrated seamlessly into existing systems and applications.

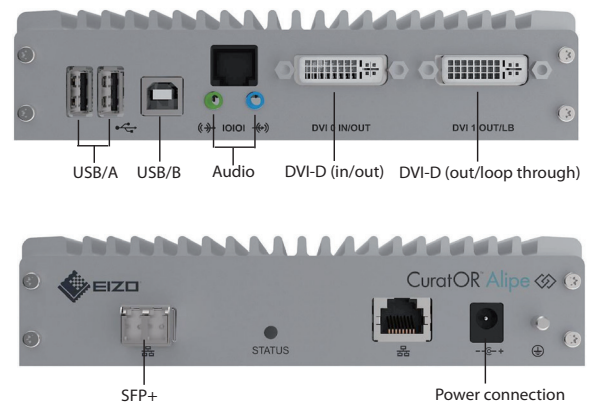
Specifications

Cabinet Color		Silver
Network	Data Rate	10 Gbit/s
	Cable	LWL duplex LC/LC (SFP+ module necessary)
Video	Input Resolution	Up to FHD (1920 x 1080) and WUXGA (1920 x 1200), 1 x uncompressed, 60 Hz and 30 Hz, progressive and interlaced
	Output Resolution	Up to FHD (1920 x 1080) and WUXGA (1920 x 1200), 2 x uncompressed, 60 Hz and 30 Hz, progressive
	Interface	DVI-D (in/out), DVI-D (out/loop through) Modes: Single In / Single Out (up to FHD and WUXGA) In/Out (up to FHD and WUXGA) Dual Out (up to FHD and WUXGA) Loop Through (up to FHD and WUXGA)
	Multiview	Side-by-Side, Picture-in-Picture, QuadView, 3+1 and 1+3 Right
Control		Mouse and keyboard control
Audio		Audio (in/out)
Connectors		SFP+ (10 GbE, optional SFP+ module), DVI-D x 2, USB/A x 2, USB/B, audio jack x 2
Power Consumption		17 W, optional: 5 W (for USB), passive cooling
Power Requirements		External power supply, 230 AC
Net Weight		1050 g
Certifications & Standards (Please contact EIZO for latest information)		CE, IEC60950, tested for IEC60601-1-2, RoHS, Reach, WEEE
Optional Accessories		Optical module (SFP+ 10G LC), power supply, connecting and mounting accessories

Dimensions (Unit: mm)



Connectors



You will find your EIZO contact partner at:
www.eizo-or.com/contact

EIZO, the EIZO logo, and CuratOR are registered trademarks of EIZO Corporation in Japan and other countries. All other company names, product names, and logos are trademarks or registered trademarks of their respective companies. Specifications are subject to change without notice.